

40PIN SOCKET(PCB)

40pin Socket(PCB)

Part-No.: MPS01-BSMA0400

Mating design:

- Serviceable locking legs
- One step mating

Terminal system:

- Tin plated
- 40 contact points

General:

- Adapt for Lead-free Process



Performance characteristics:

- Temperature range: -40°C to +105°C
- Dielectric resistance: 1000V / DC

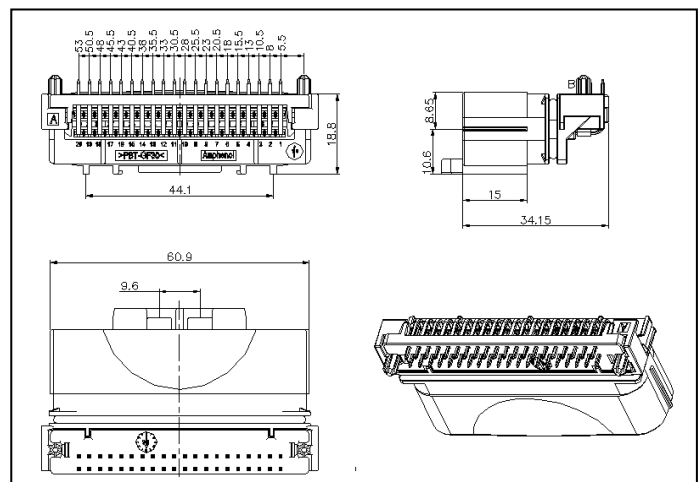
Construction:

- Housing material: PBT GF30
- Contact material: CuSn
- Accepted wire range: 0.5/0.75mm²

Connector interface:

- Code A/B/C/D

Dimensional characteristics:



40PIN PLUG

40pin Plug

Part-No:

PLUG: MPS01-BSFA0400 (X1)

TPA: MPS01-00C00400 (X1)

Terminal: N02 252 4124C(X40)

Patch: MPS01-00P00400 (X40)

Mating design:

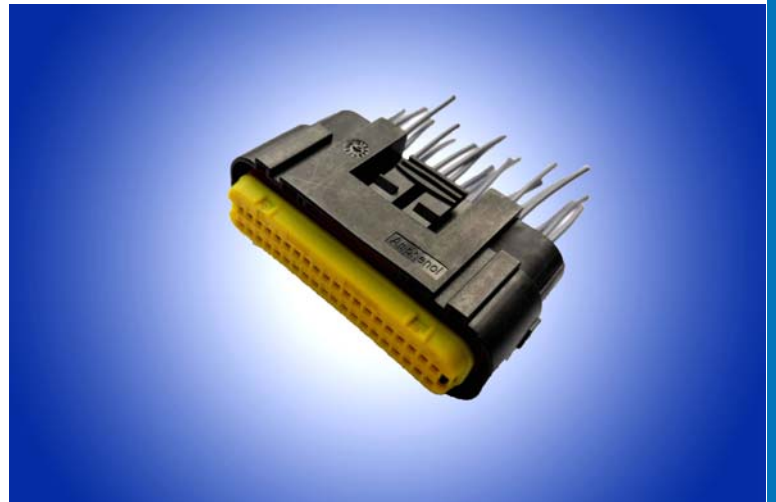
- TPA (terminal positioning assurance)
- One step mating

Terminal system:

- Selective tin plated
- 40 contact points

General:

- Supplied with different cable lengths
- Single wire



Performance characteristics:

- Temperature range: -40°C to +125°C
- Current Rating (@85° C): 2A
- Voltage Rating: 60V
- Dielectric resistance: 500V / DC
- Waterproof test meet :IP67

Connector interface:

- Code A

Construction:

- Housing material: PBT GF30
- Contact material: CuSn
- Accepted wire range: 0.35/0.5 mm²

Dimensional characteristics:

