

HVPC 2 poles 15mm connector (90°)

High voltage, high current, 25mm²~50mm² wire, metal shielded, HVIL

Part-No.:

- Plug:
 - HVPC2P15FVX25 (25mm²: 11.6~12.2)
 - HVPC2P15FVX35 (35mm²: 13.8~14.4)
 - HVPC2P15FVX50 (50mm²: 15.2~15.8)
- Socket:
 - HVPC2P15MVX02 (Type2)
 - "X" indicates code 1/2/3/4

Mating design:

- Serviceable locking leg
- Locking assurance by CPA
- Operation with handle

Terminal system:

- W=15mm, T=2.5mm, silver plated
- Wire size 25/35/50mm², shielding
- HVIL contact system

Terminal technology:

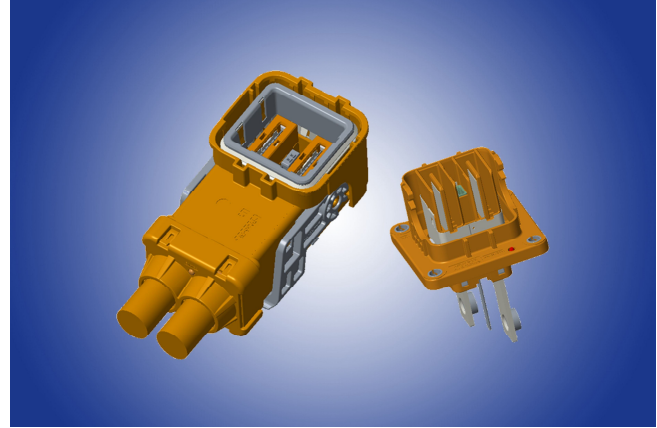
- Ultrasonic welding for power termination
- Crimping for HVIL termination

General:

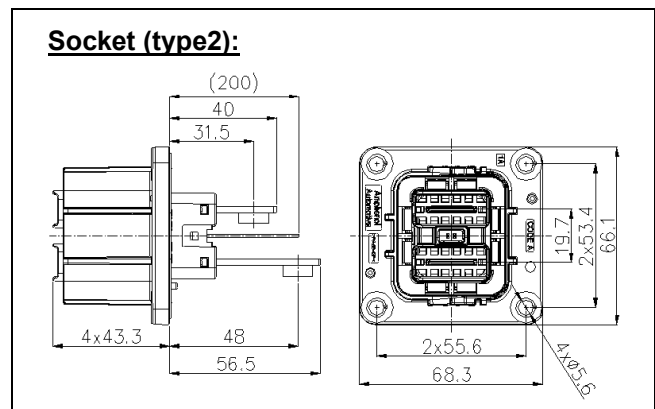
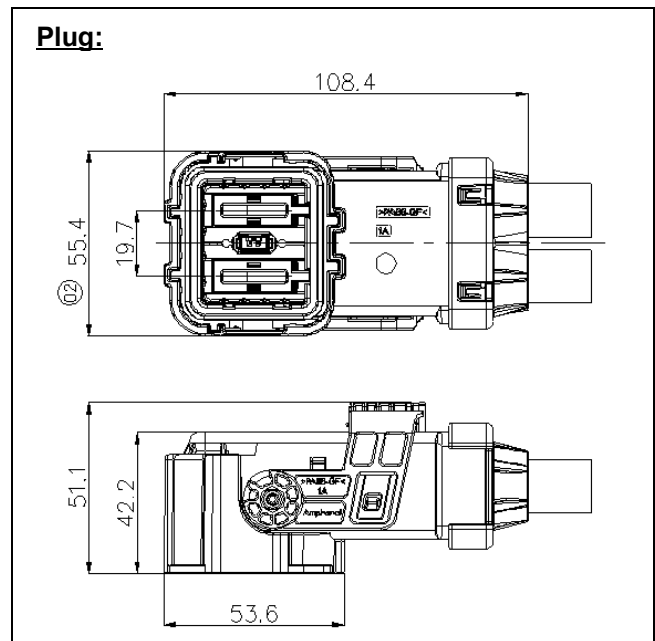
- IP67, IP6K9K (mated)
- IPXXB (unmated)
- HVIL
- 360° shielding
- Coding: A/B/C/D

Standard:

- LV215



Dimensional characteristics:



Performance characteristics:

- Unmating force : ≤ 100N
- Temperature range : -40°C to +140°C
- Voltage : 1000V DC
- Mating cycles : 50 min.
- Current capacity : (@85°C)
 - 25mm²=150A
 - 35mm²=200A
 - 50mm²=250A

Construction:

- Housing material : PA66-GF (UL94-V0)
- Terminal material : Copper alloy
- RFI/EMI protection : Metal shielding